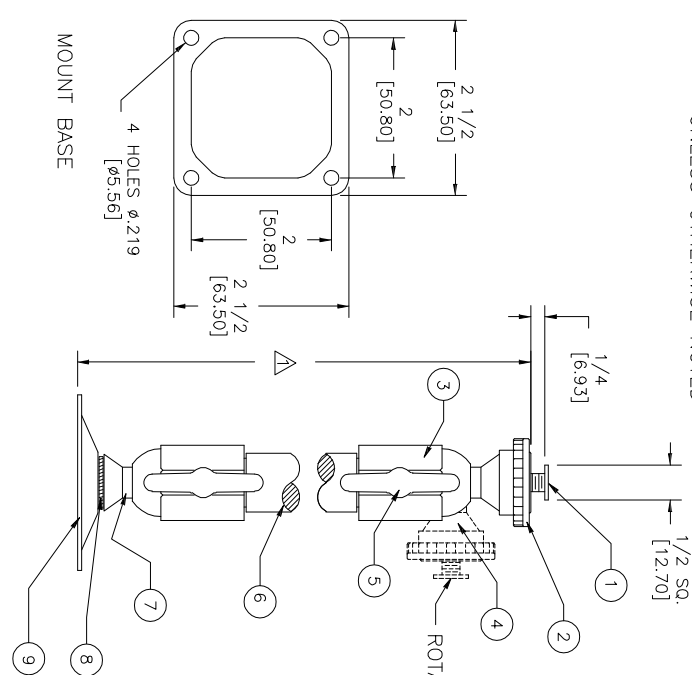


PRODUCT SPECIFICATION SHEET		DWG NO	627-TAB-SP
REVISIONS		TITLE	
REV/ECO	DESCRIPTION	BY/DATE	APPROVED
A	INITIAL RELEASE	3 DEC 02	

ALL DIMENSIONS ARE FOR REFERENCE ONLY UNLESS OTHERWISE NOTED



SPECIFICATIONS

OVERALL HEIGHT .....  $\Delta$  SEE TABLE  
 SHIPPING WEIGHT .....  $\Delta$  SEE TABLE  
 COLOR ..... BLACK

- MATERIAL:
1. "T" SLOT BOLT ..... 1/4-20 X 1/2 [12.7] SQ. HD. STEEL BOLT  
BLACK ZINC PLATE
  2. LOCKING RING ..... ZINC DIE CASTING NATURAL FINISH
  3. PIVOT BALL HOUSING ... ZINC DIE CAST PAINTED BLACK
  4. PIVOT BALL ..... MOLDED NYLON 6 ZINC PLATED STEEL INSERT
  5. KNOB ..... ZINC DIE CASTING PAINTED BLACK
  6. SHAFT ..... 1/4-28 X 7/8 SOCKET STEEL SCREW BLACK OXIDE
  7. LOWER BALL ..... 6061-T6 ALUMINUM BLACK ANODIZED
  8. LOCK WASHER ..... 6061-T6 ALUMINUM BLACK ANODIZED
  9. BASE PLATE ..... 16 GA CRS PAINTED BLACK
- NOT SHOWN  
 STEEL WASHER FLAT ..... ZINC PLATED  
 STEEL SCREW BUTTON HEAD .... 1/4-20 X 1/2 CLEAR ZINC PLATE

TABLE

PART NUMBER	OVERALL HIGHT (RISE)	WEIGHT
627-06	6 INCH [152.4 MM]	.86 LB [.39 KG]
627-09	9 INCH [228.6 MM]	.96 LB [.44 KG]
627-12	12 INCH [304.8 MM]	1.10 LB [.50 KG]

ALL DESIGN, OPERATIVE, AND PROCESS DATA PERTAINING TO THE ARTICLE ON THIS SHEET IS THE PROPERTY OF PANAVISE PRODUCTS, INC., RENO, NV. THIS INFORMATION IS DISCLOSED IN CONFIDENCE. IT IS NOT TO BE COPIED, REPRODUCED, OR REVEALED TO OR APPROPRIATED BY OTHERS, EITHER IN WHOLE OR IN PART, WITHOUT THE EXPRESS WRITTEN CONSENT OF PANAVISE. THIS PRINT IS LOANED, AND MUST NOT BE USED IN ANY MANNER DETERMINAL TO THE INTEREST OF PANAVISE, AND MUST BE RETURNED ON DEMAND

DRAWN	DATE	SCALE	SHT 1 OF 1	SIZE	DWG. NO.	REV
T. CELONE	DEC 02	NONE		A	627-TAB-SP	A

TITLE  
 BLACK PEDESTAL MOUNT WITH "T" BOLT

PANAVISE®  
 7540 Collier Drive, Reno, Nevada 89514-1225  
 Phone (702) 850-2500, Fax (702) 850-2525

- NOTES:
1. PACKAGING AND LABELING CONTROLLED BY OPERATIONS AND MATERIALS
  2. DESIGN RELATES TO PANAVISE DRAWING 627-TAB-SP AND IS NOT CONTROLLED BY BRIGADE
  3. THIS DRAWING IS FOR RELEASE PURPOSES ONLY AND MAY NOT ACCURATELY REPRESENT THE PRODUCT.

PROPRIETARY NOTICE  
 THIS DESIGN AND TECHNICAL INFORMATION APPEARING ON THIS DRAWING IS THE PROPERTY OF BRIGADE ELECTRONICS, AND IS DISCLOSED IN CONFIDENCE. IT IS NOT TO BE COPIED, REPRODUCED, REVEALED TO OR EXPROPRIATED BY OTHERS, EITHER IN WHOLE OR IN PART WITHOUT THE EXPRESS WRITTEN CONSENT OF BRIGADE ELECTRONICS.

BRIGADE®  
 www.brigade-electronics.com

Assembly Pl Approval	Approved by	Checked by	Drawn by
	B JOHN	B CHILDS	P MISSSEN
Angle of Projection	Units	Scale	Released
Third Angle	mm	N/A	11/09/13
Status	Released	BMM-020	
Part No	Released	BE-002573-00-13	

